

KOHLTECH

Solutions For Every Industry & Every Build

LED Spotter Series

The ARC LED Safety light projects a highly visible perimeter to alert operators and workers of equipment danger zones in congested or low light work areas.

ARC LED Safety Light

1. Smooth ARC line with round edges
2. Higher light efficiency, lower light decay
3. 10-80V Wide Voltage range, suitable for various types of truck & equipment
4. Durable PC lens minimizes environmental damage
5. AL Die-Cast housing allows effective heat dissipation and extends lifespan
6. IP67 water and dust proof

Specs

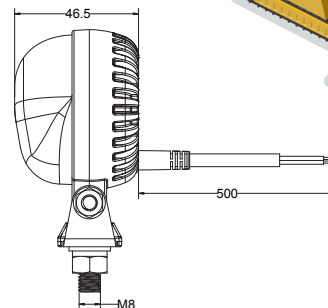
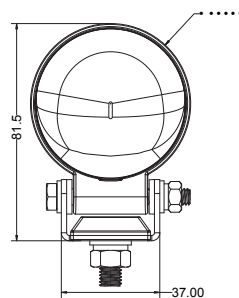
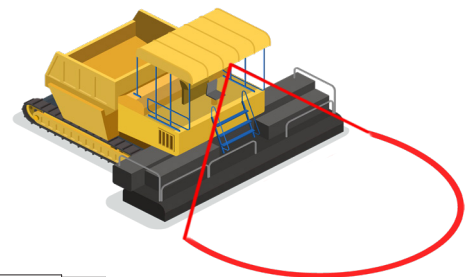
- Voltage: 10-80V DC
- Wattage: 10W
- LED: 2*5W
- Function: Safety Arc
- Material: Aluminum
- Lens: PC
- Mount: bolt + nut
- Waterproof: IP67
- Operating temperature: -40 ° F / + 149° F
- Cable: 1.5'
- Weight: 1.5lbs
- 2 year warranty

Standard color - Red

Optional Colors:

Blue

Green



Have any questions or need additional information? | Call us today at 877.708.7803

KOHLTECH | www.kohltechnology.com | info@kohltechnology.com