

KOHLTECH

Solutions For Every Industry & Every Build

LED Spotter Series

The SLS LED Safety light projects a highly visible perimeter to alert operators and workers of equipment danger zones in congested or low light work areas.

SLS LED Safety Light

1. Straight line specialty light
2. Higher light efficiency, lower light decay
3. 10-80V Wide Voltage range, suitable for various applications
4. Durable PC lens minimizes environmental damage
5. Aluminum Die-Cast housing allows effective heat dissipation and extends lifespan
6. Waterproof rating: IP67

Specs

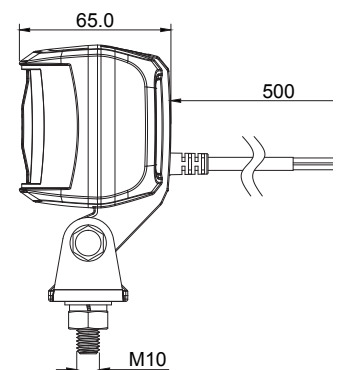
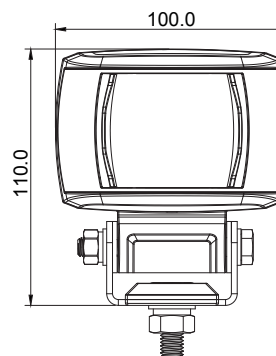
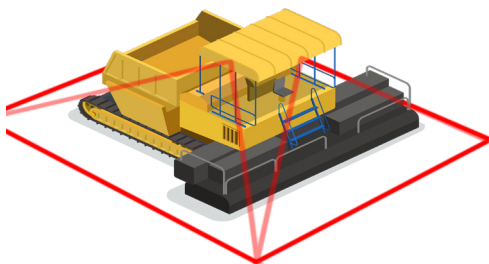
- Voltage: 10-80v DC
- Wattage: 12W
- LED: 4*3W
- Function: Safety line
- Material: Aluminum
- Lens: PC
- Mount: bolt + nut
- Waterproof: IP67
- Operating temperature: -40° F / + 149° F
- Cable: 1'
- Weight: 1.4lbs
- 2 year warranty

Standard color - **Red**

Optional Colors:

Blue

Green



Have any questions or need additional information? | Call us today at 877.708.7803

KOHLTECH | www.kohltechnology.com | info@kohltechnology.com