

KOHLTECH

Solution based technology for every build

Total Visibility

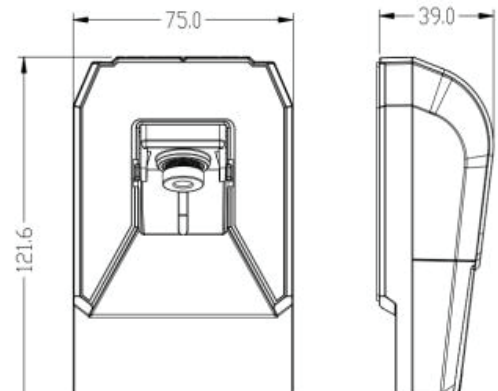
FEATURES

- 1080p Resolution
- 130 FOV
- Wide dynamic range
- Audio capture
- Anti-vibration
- Adheres directly to windshield
- Zero windshield reflection



Details

Model	927C20
Sensor	Sensor 1/2.8" 2M Pixel CMOS
Resolution	Resolution 1920(H)x1080(V)
Minimum illumination	.5Lux(Color Illumination), F1.2
Electronic shutter	1/30 Second - 1/10000 Second
Black-light compensation	Support
S/N	48db
Lens	2.8mm, 4mm, 8mm M12, fixed aperture F1.8
FOV(2.8mm)	H*V 106*57°
FOV(4mm)	H*V 84*46°
Video compression	H.264, H.265
Compression output rate	512Kbps-8Mbps
Image resolution	Main Stream: 1080p (720P optional) @ 30fps
	Sub Stream 1: VGA/WD1/D1/QVGA/CIF @ 30FPS
	Network stream: dynamic (adjustable)
CBR/VBR	Support
CBR/VBR	ADPCM, G.711A, G.711U, G.726
Audio input	Built-in mic
Audio collection distance	5m max.
Network port	10M/100M adjustable Ethernet network port



Have any questions or need additional information? | Call us today at 877.708.7803

KOHLTECH | www.kohltechnology.com | info@kohltechnology.com