

KOHLTECH

Solution based technology for every build

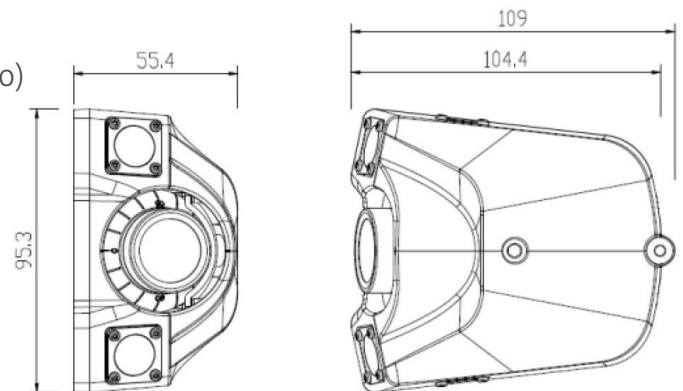
Total Visibility

FEATURES

- 1920x1080p
- Supports D-WDR, white balance and gain control
- Easy to store and manipulate images
- IP69K, IP67
- Compact robust design
- Anti-vibration and tamper resistant

Details

- 1/2.8" progressive scan CMOS
- Minimum illumination: 0.05lux(Color), 0lux(IR on)
- Electronic shutter (auto), day to night, white balance (auto)
- IR fill light range: 20m
- 4mm, 6mm, 8mm lens available
- POE(48V, with RJ45 port or M12 D-Type port) or PON (with 6-pin aviation port)
- H.264&H.265
- Three streams: Main stream, Sub stream, Net stream



CAM-1080SMIP is a compact IPC that automatically controls shutter speed, white balance, contrast, brightness, saturation and all other picture parameters. The CAM-1080SMIP offers a reliable high definition solution for vehicle applications.

Have any questions or need additional information? | Call us today at 877.708.7803

KOHLTECH | www.kohltechnology.com | info@kohltechnology.com

Specifications

Product series	C24
Sensor	2 MP 1/2.8" CMOS
Resolution	1920(H)x1080(V)
Minimum Illumination	0.05Lux(Color Illumination), F1.2
Electronic Shutter	1/30 Second -1/10000 Second
Wide Dynamic Range	≥80db
Black-light Compensation	Support
S/N	≥48db
IR	12-20m
Lens	4mm, 6MM,8MM M12 Fixed aperture F1.8
FOV	4mm= H*V 73*41°/6mm=H*V 46° *27° /8mm= H*V 36*20
Video Compression Standard	H.264
Compression Output Rate	512Kbps-8Mbps
Image Resolution	Main Stream:1080P(720P) @ 30fps, Sub Stream1:VGA/WD1/D1/QVGA/CIF @30FPS Net transmission stream: dynamic (adjustable)
CBR/VBR	Support
Network port	10M/100M adaptive Ethernet port
Network Protocol	TCP/IP, HTTP, DHCP, RTSP, NTP, FTP
N9M	Support
ONVIF	Support
Client Preview	Built-in WEB server; Support IE browser
Installation features	Installs on the wall of the vehicle
Temperature	-40°C + 70°C
Humidity	0% - 90%
Power Supply	DC 12V/POE
Waterproof Class	IP69K/IP67
Power Consumption	<2w(day) < 5w(night)
Dimension (mm)	109mm(L)*95.3mm(W)*55.4mm(H)

