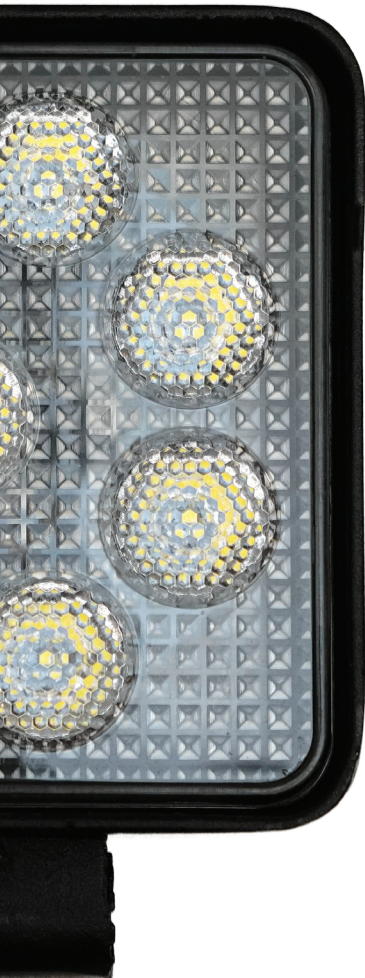


HIGH-INTENSITY LED-135ES LED WORK LIGHT



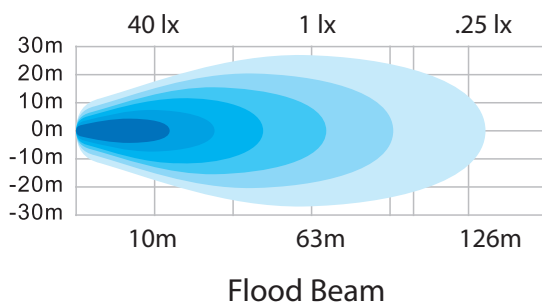
LED Chip: OSRAM



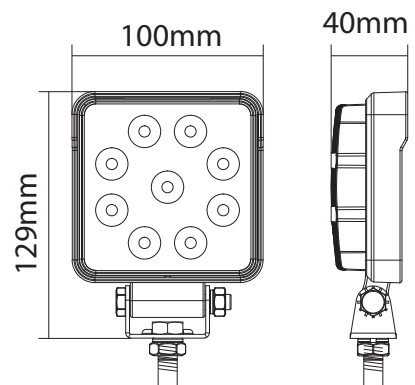
RoHS Compliant



1. Beam Pattern



2. Dimensions



3. Technical Data

Certificates: CE, RoHS, IP69K, ECE R10, R23

Model	LED Chip	Power	Raw Lumens	Current Draw	Optional Beam	Temperature	Operating Voltage	Lux 10/m	m/1lx	m/0.25lx
LED-135ES	OSRAM	9*1.5W	1710lm	1.46A@12V 0.74A@24V	60° Flood	6,000K	10-30V DC	35lx	59m	118m

*Note: Actual power and lumens will be determined by external environmental conditions.