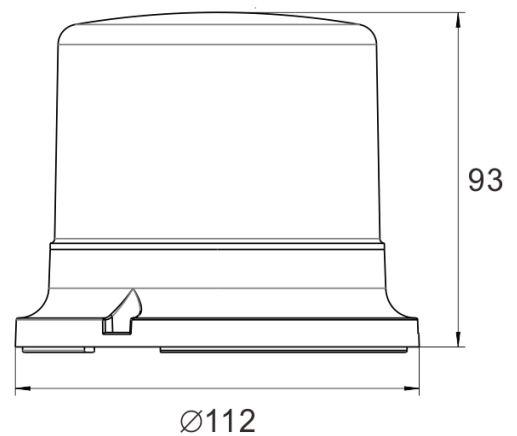
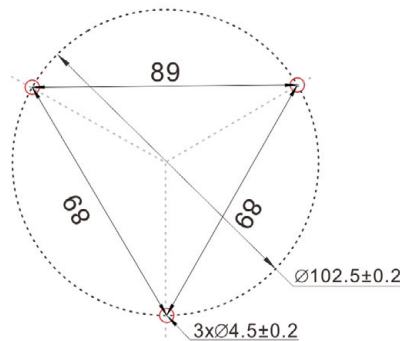


24W HIGH POWER LED BEACON



Install Hole Size(unit:mm)



IP69K

Model	Voltage	LED	Weight	Bulb Worklife	Rating	Mounting	Color Temp	Dimensions
LED-BCN24B	DC10/32V	24x1W	500G	50,000hr	IP69K	Magnetic or Bolt	1,800K Amber	93(H) x112(D) mm